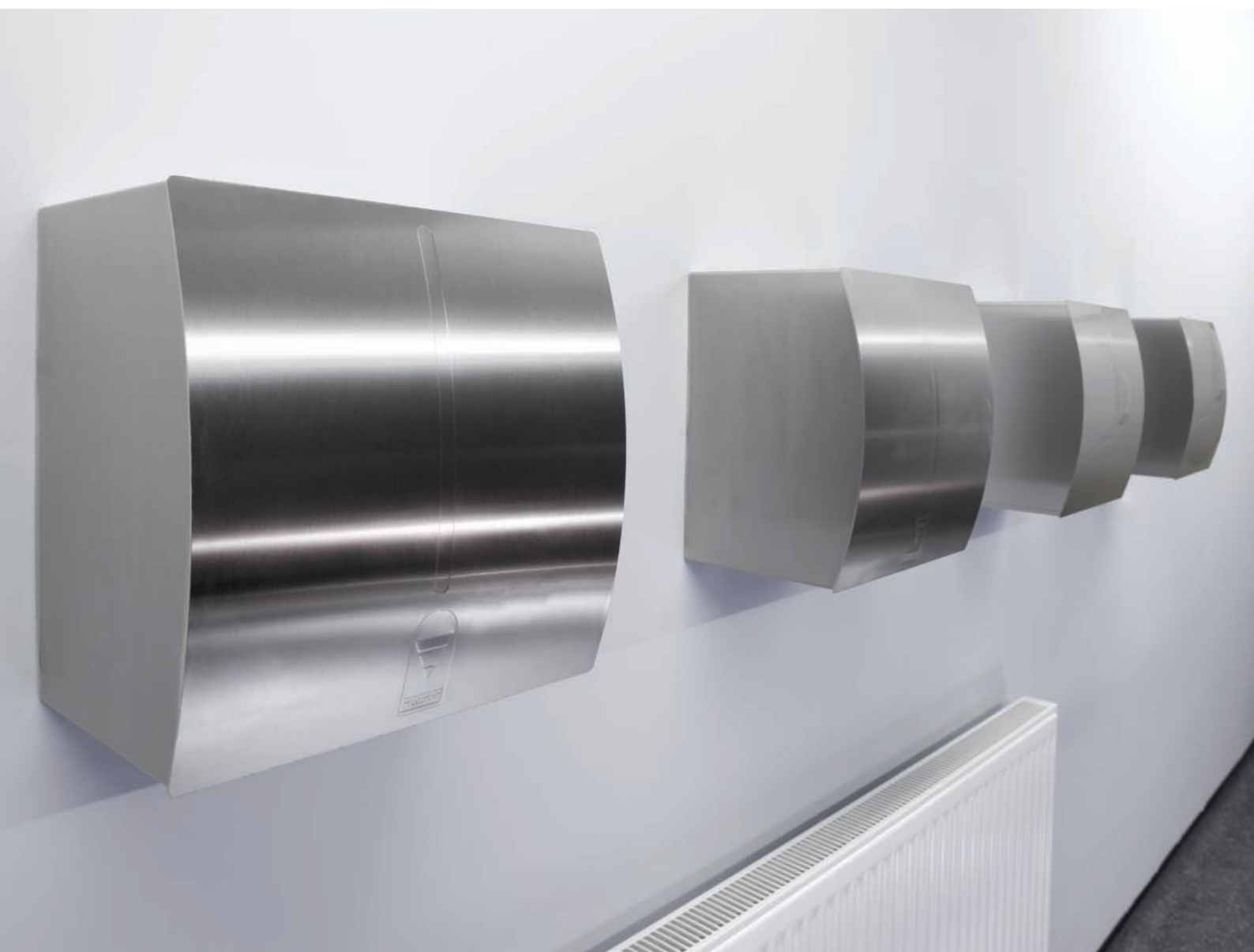


Hand and Hair Dryers

OUTSTANDING DRYING PERFORMANCE FOR ALL WASHROOM ENVIRONMENTS



Smart Hygiene Solutions.

FRANKE

WASHROOM
SYSTEMS



Franke Sissons

Franke Sissons Ltd.....serving our customers for 225 years. Sustainability and longevity to support your business.

In 2009 Franke Sissons are 225 years old. The original Company was formed in 1784 as silversmiths in Sheffield, England and during the past 225 years has gained an international reputation for manufacturing and supplying quality, well designed and durable products for a wide range of commercial applications.

Franke Sissons are suppliers to many well known blue chip clients in the UK, Ireland and Worldwide including:

- | | | |
|----------------------------|--------------------------------|--------------------------------|
| Asda and the Walmart Group | Nightingale Architects | HSBC |
| Marks and Spencer | Lorne Stewart | University of London |
| Sainsburys | Haden Young | University of Leicester |
| Warner Holidays | Interserve | Rugby Football Union |
| Youth Hostel Association | Balfour Kilpatrick | Scott Tallon Walker Architects |
| Astra Zenica | N G Bailey | Skanska |
| Wolseley Group | Sheperd Engineering Services | Mitie Group |
| Saint Gobain Group | British Airport Authority | Briggs & Forrester |
| BSS Group | Capita Percy Thomas Architects | Crown House Engineering |
| NHS Trusts | Ministry of Defence | Spie Matthew Hall |
| Unilever | Midland Mainline | News International |
| ARUP | Emcor | |

Franke Sissons products are covered in part or wholly by the following Approvals and Standards:



Franke Sissons Ltd, Carrwood Road, Sheepbridge, Chesterfield S41 9QB, England
 Tel +44 (0)1246 450255, Fax +44 (0)1246 451276, Email ws.uk@franke.com, www.franke-sissons.co.uk, www.franke-ws.com

Franke hand and hair dryers for all washroom environments such as a well-designed restaurant, a properly planned industrial or office building, swimming pool or indoor gym.

Product features:

- Outstanding drying performance
- Contact-free electronic control system
- Very low levels of noise and vibration
- Wide range of models for various applications
- Test marks: ÖVE, TÜF/GS, CE
- Supplied with mounting elements and installation template

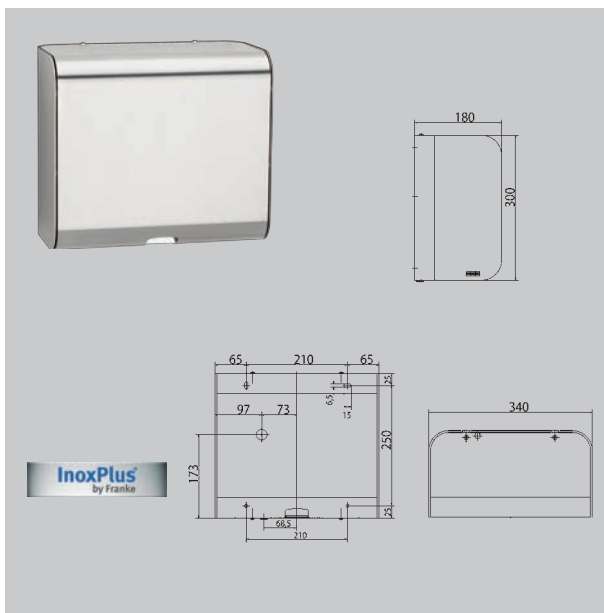
Description	Page
Hand Dryers	4-5
Hair Dryers	5

Hand Dryers

Picture / Diagram

All dimensions in mm

Code / Description



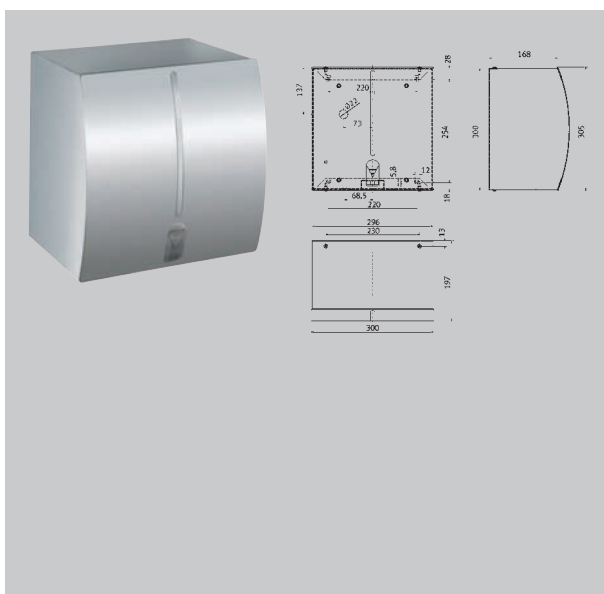
Hand Dryer

Hand dryer for wall mounting, electronic warm air hand dryer, made of stainless steel, surface satin finished with surface refinement for the reduction of finger marks and better cleaning characteristic (easy to clean), material thickness 2.0mm, casing with shadow gap and curved profile, Infrared sensor activity for non-touch operation, sensor range adjustable from 50 to 330mm, automatic power shut-off after 60 seconds, due to the extreme high adjustable air velocity the drying time is shortened although the blower output is relatively low, cable and plug not included.

Electrical data: 230V, 50Hz
 Total output: 1500W
 Heating: 800W
 Motor: 700W
 Blower output: 120m³/h
 Air velocity: 75 - 110m/s

340x180x300

XINX210



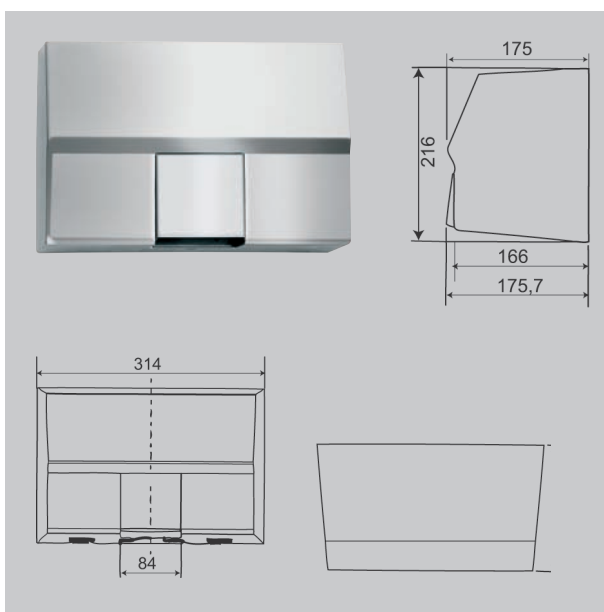
Hand Dryer

Touch free controlled hand dryer for wall mounting, electronic warm air hand dryer, made of stainless steel, surface satin finished, material thickness 1.5mm, curved front cover, Infrared sensor activity for non-touch operation, sensor range adjustable from 50 to 330mm, automatic power shut-off after 60 seconds, due to the extreme high adjustable air velocity the drying time is significantly reduced although the blower output is not that high, cable and plug not included.

Electrical data: 230V, 50Hz
 Total output: 1500W
 Heating: 800W
 Motor: 700W
 Blower output: 120m³/h
 Air velocity: 75-110 m/s

300x197x305

STRX210



Hand Dryer

Hand dryer for wall mounting, electronic warm air hand dryer, made of stainless steel, surface satin finished, material thickness 1.2mm, Infrared sensor activity for non-touch operation, sensor range adjustable from 100 to 300mm, cable and plug not included.

Electrical data: 230V, 50Hz
 Total output: 2200W
 Heating: 2100W
 Motor: 100W motor with 2850rpm
 Blower output: 274m³/h
 Air velocity: 15.5m/s

314x175x216

ARTH310

Hand & Hair Dryers

Picture / Diagram
All dimensions in mm

Code / Description

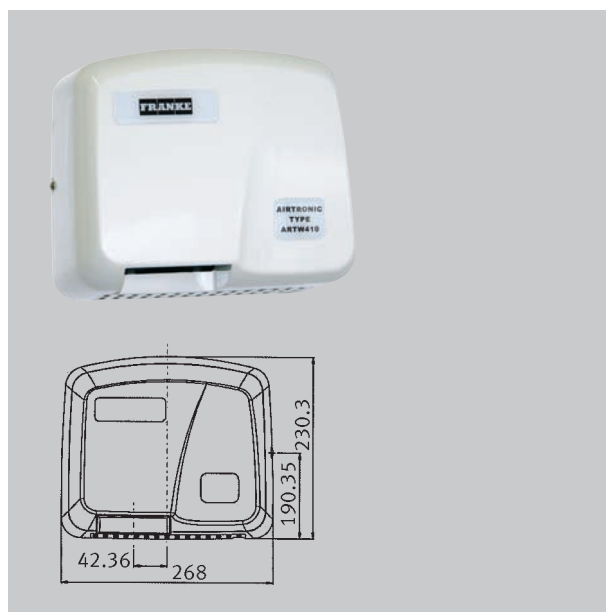
Hand Dryer with ABS Plastic Cover

Touch free hand dryer for wall mounting, made of fire retardant ABS, material thickness 3mm, Infrared sensor activity for non-touch operation, sensor range adjustable from 100 to 300mm, automatic power shut-off after 120 seconds, cable and plug not included.

Electrical data: 230V, 50Hz
Total output: 1800W
Heating: 1720W
Motor: 80W motor with 2850 rpm
Blower output: 255m³/h
Air velocity: 14.5m/s

268x230x177

ARTW410



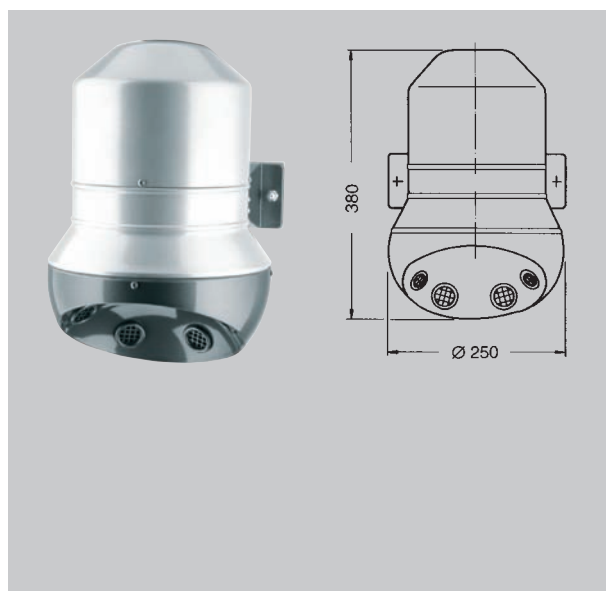
Touch Free Hair Dryer

Touch free hair dryer with electronic push button timer, time to switch-off 150 seconds, housing made of powder coated sheet steel, colour: engine silver (RAL 9022) and pearl/gentian (RAL 5025).

Air flow rate: 120m³/h = 58l/s
Total output: 1300W
Connection voltage: 230V, 50Hz

250x380x260

ARTH210

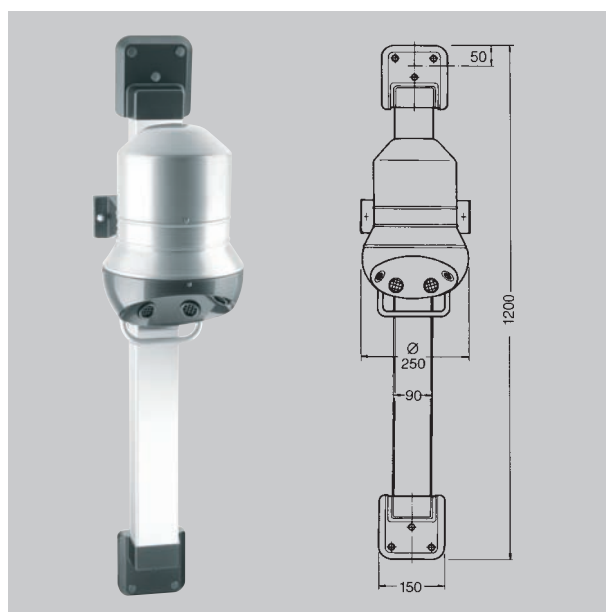


Height Adjuster for ARTH210 Hair Dryer

Height adjuster for hair dryer for application in semi-public as well as public commercial facilities. Continuously variable with constant-tension coiled-strip spring, guide rail made of anodized special aluminium, with 4mm full-surface glued crystal mirror and concealed vandal-proof cable routing.

1200mm Long

ARTH101



The logo for Franke, consisting of the word "FRANKE" in a bold, white, sans-serif font, centered within a dark blue rectangular background.

Smart
Hygiene
Solutions

Franke Sissons Ltd
Carrwood Road
Sheepbridge
Chesterfield S41 9QB
England
Tel +44 (0)1246 450255
Fax +44 (0)1246 451276
Email ws.uk@franke.com
www.franke-sissons.co.uk
www.franke-ws.com