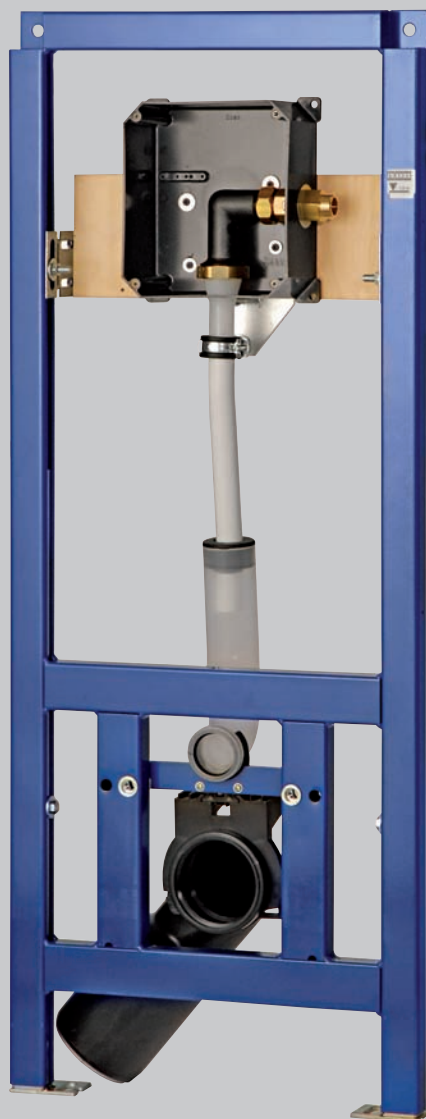


# AQUAFIX

INSTALLATION FRAMES



Smart Hygiene Solutions.

**FRANKE**

WASHROOM  
SYSTEMS



# Franke Sissons

**Franke Sissons Ltd.....serving our customers for 225 years. Sustainability and longevity to support your business.**

In 2009 Franke Sissons are 225 years old. The original Company was formed in 1784 as silversmiths in Sheffield, England and during the past 225 years has gained an international reputation for manufacturing and supplying quality, well designed and durable products for a wide range of commercial applications.

Franke Sissons are suppliers to many well known blue chip clients in the UK, Ireland and Worldwide including:

- |                            |                                |                                |
|----------------------------|--------------------------------|--------------------------------|
| Asda and the Walmart Group | Nightingale Architects         | HSBC                           |
| Marks and Spencer          | Lorne Stewart                  | University of London           |
| Sainsburys                 | Haden Young                    | University of Leicester        |
| Warner Holidays            | Interserve                     | Rugby Football Union           |
| Youth Hostel Association   | Balfour Kilpatrick             | Scott Tallon Walker Architects |
| Astra Zenica               | N G Bailey                     | Skanska                        |
| Wolseley Group             | Sheperd Engineering Services   | Mitie Group                    |
| Saint Gobain Group         | British Airport Authority      | Briggs & Forrester             |
| BSS Group                  | Capita Percy Thomas Architects | Crown House Engineering        |
| NHS Trusts                 | Ministry of Defence            | Spie Matthew Hall              |
| Unilever                   | Midland Mainline               | News International             |
| ARUP                       | Emcor                          |                                |

Franke Sissons products are covered in part or wholly by the following Approvals and Standards:



Franke Sissons Ltd, Carrwood Road, Sheepbridge, Chesterfield S41 9QB, England  
 Tel +44 (0)1246 450255, Fax +44 (0)1246 451276, Email [ws.uk@franke.com](mailto:ws.uk@franke.com), [www.franke-sissons.co.uk](http://www.franke-sissons.co.uk), [www.franke-ws.com](http://www.franke-ws.com)

Extensive range of Installation frames for creating a duct wall for pipework and to provide a solid fixing location of the sanitary products. Franke Installation Frames can be used with Ceramic and Stainless Steel sanitary products and the fixing positions comply with European Standards.

### Product features:

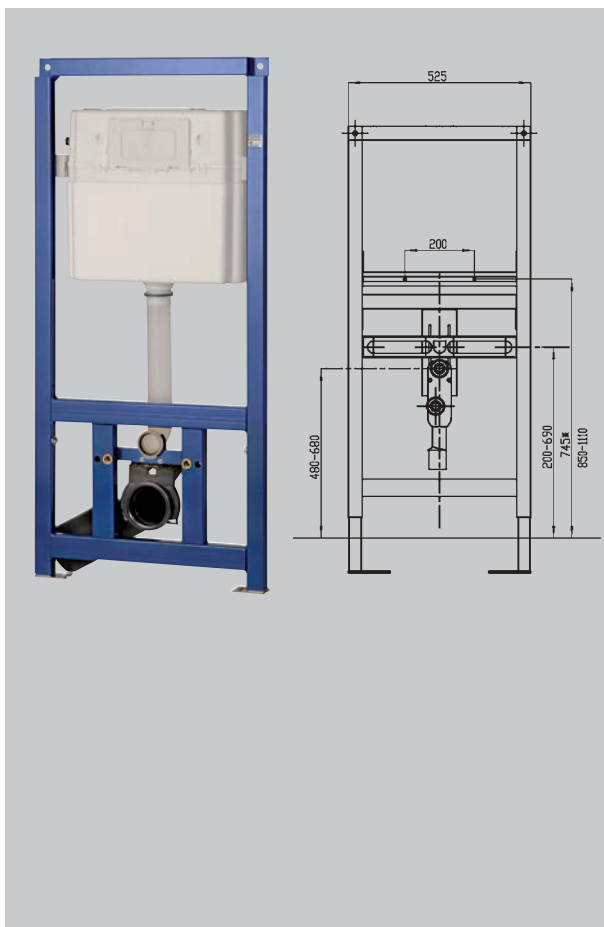
- Height adjustment with retractable feet
- Solid fixing points to floor and wall
- Optional adjustable fixing brackets to create service duct
- Adjustable fixing wooden panels for urinals to enable a variety of products to be fitted

Description	Page	Description	Page
Frames for WCs	4	Frames for Washbasins	7
Frames for Disabled WCs	5	Frames for Disabled Washbasins	7
Frames for Urinals	6	Wall Support Frame	7

# Installation Frames for WCs

Picture / Diagram  
All dimensions in mm

Code / Description



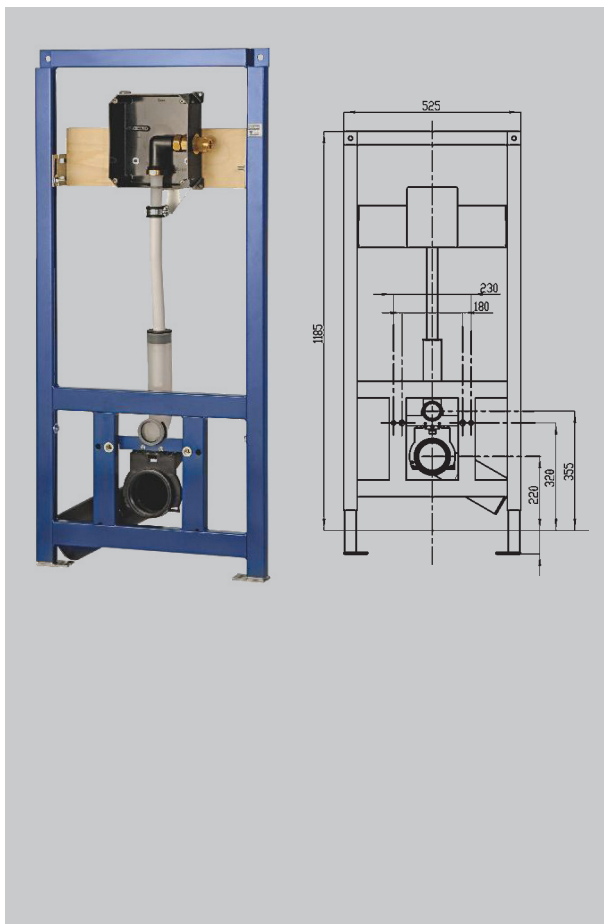
## Installation Frame for WC

AQUAFIX installation frame for wall-mounted WCs, with pre-mounted basic fitting installation kit for concealed in-wall FRANKE WC flush valves. Self-supporting, powder-coated steel-frame construction, TÜV tested, for individual mounting for dry wall lining, adjustable mounting bracket for WC connecting-elbow DN 90/DN 100, complete with inlet and outlet fitting kit, retaining bolts for WC, building protection and fastening material.

**CMPX140**  
Installation Frame with Cistern

Extras:

**Z-CMPX140**  
Wall Bracket Set



## Installation Frame for WC

AQUAFIX installation frame for wall-mounted WCs, with pre-mounted basic fitting installation kit for concealed in-wall FRANKE WC flush valves. Self-supporting, powder-coated steel-frame construction, TÜV tested, for individual mounting for dry wall lining, adjustable mounting bracket for WC connecting-elbow DN 90/DN 100, complete with inlet and outlet fitting kit, retaining bolts for WC, building protection and fastening material.

**CMPX142**

Extras:

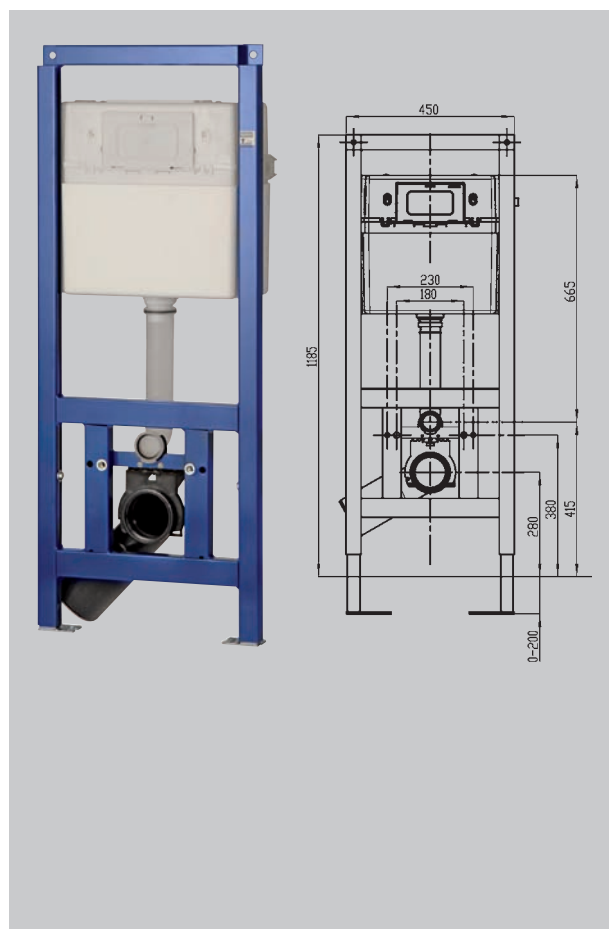
**Z-CMPX140**  
Wall Bracket Set



# Installation Frames for Disabled WCs

Picture / Diagram  
All dimensions in mm

Code / Description



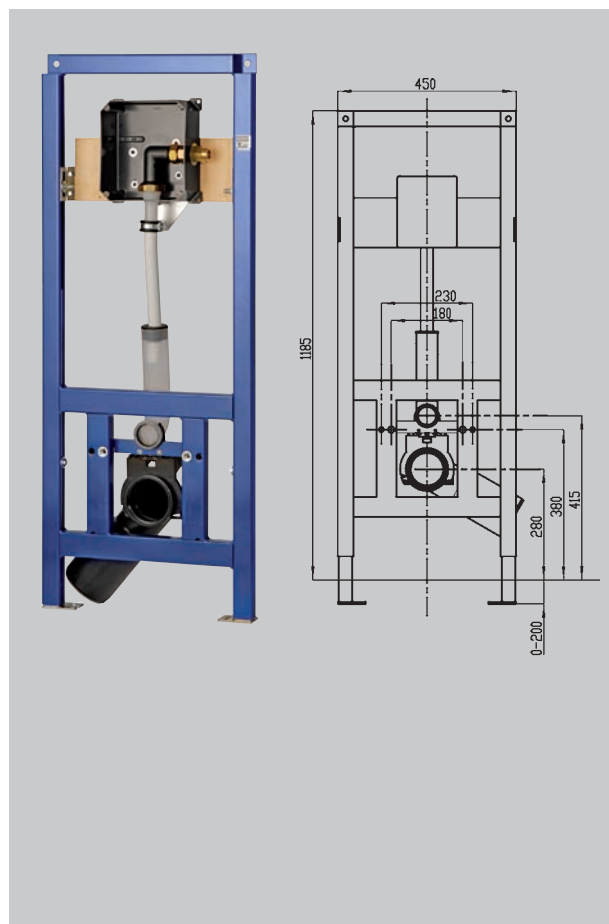
## Installation Frame for Disabled WC

AQUAFIX installation frame for wall-mounted WCs, with pre-mounted basic fitting installation kit for concealed in-wall FRANKE WC flush valves. Self-supporting, powder-coated steel-frame construction, TÜV tested, for individual mounting for dry wall lining, adjustable mounting bracket for WC connecting-elbow DN 90/DN 100, complete with inlet and outlet fitting kit, retaining bolts for WC, building protection and fastening material.

**CMPX141**  
Installation Frame with Cistern

Extras:

**Z-CMPX140**  
Wall Bracket Set



## Installation Frame for Disabled WC

AQUAFIX installation frame for wall-mounted WCs, with pre-mounted basic fitting installation kit for concealed in-wall FRANKE WC flush valves. Self-supporting, powder-coated steel-frame construction, TÜV tested, for individual mounting for dry wall lining, adjustable mounting bracket for WC connecting-elbow DN 90/DN 100, complete with inlet and outlet fitting kit, retaining bolts for WC, building protection and fastening material.

**CMPX143**  
Installation Frame

Extras:

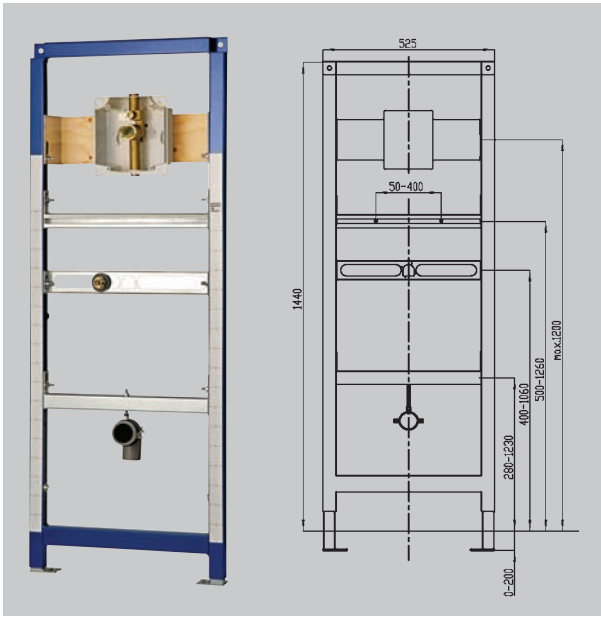
**Z-CMPX140**  
Wall Bracket Set



# Installation Frames for Urinals

Picture / Diagram  
All dimensions in mm

Code / Description



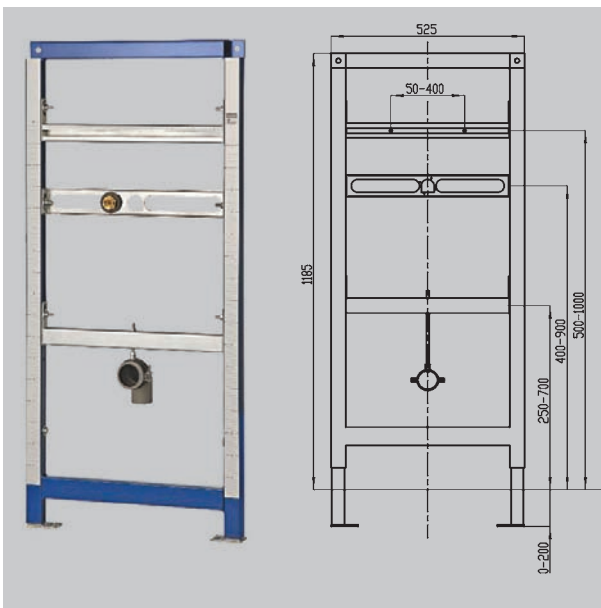
## Installation Frame for Urinal

AQUAFIX installation element for stainless steel urinal, with premounted basic fitting installation kit for in-wall mounted FRANKE urinal flush valves. Self-supporting, powder coated steel frame construction, TÜV-tested, for individual mounting for dry-wall lining, height adjustable fastening for fitting objects as well as fitting connection and outlet mount, premounted for urinal CMPX538, sound insulated wall duct 1/2", universal outlet bend DN50, urinal fastening bolts, building protection and fastening material.

**CMPX135**

Extras:

**Z-CMPX140**  
Wall Bracket Set



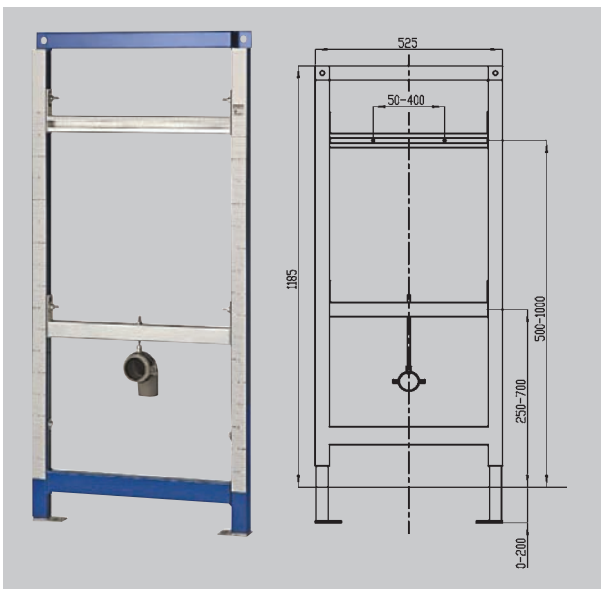
## Installation Frame for Urinal

AQUAFIX installation element for stainless steel urinal, with premounted basic fitting installation kit for in-wall mounted FRANKE urinal flush valves. Self-supporting, powder coated steel frame construction, TÜV-tested, for individual mounting for dry-wall lining, height adjustable fastening for fitting objects as well as fitting connection and outlet mount, premounted for urinal CMPX538, sound insulated wall duct 1/2", universal outlet bend DN50, urinal fastening bolts, building protection and fastening material.

**CMPX136**

Extras:

**Z-CMPX140**  
Wall Bracket Set



## Installation Frame for Waterless Urinal

AQUAFIX installation element for stainless steel urinal, with premounted basic fitting installation kit for in-wall mounted FRANKE urinal flush valves. Self-supporting, powder coated steel frame construction, TÜV-tested, for individual mounting for dry-wall lining, height adjustable fastening for fitting objects as well as fitting connection and outlet mount, premounted for urinal CMPX538, sound insulated wall duct 1/2", universal outlet bend DN50, urinal fastening bolts, building protection and fastening material.

**CMPX137**

Extras:

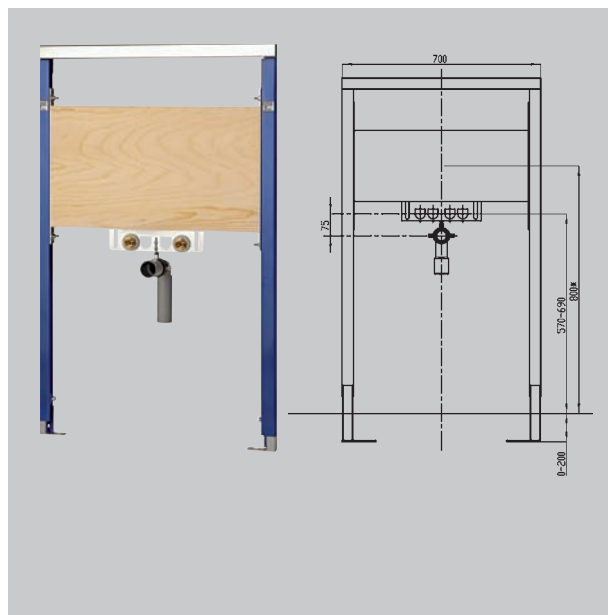
**Z-CMPX140**  
Wall Bracket Set



# Installation Frames for Washbasins and Disabled Washbasins

Picture / Diagram  
All dimensions in mm

Code / Description



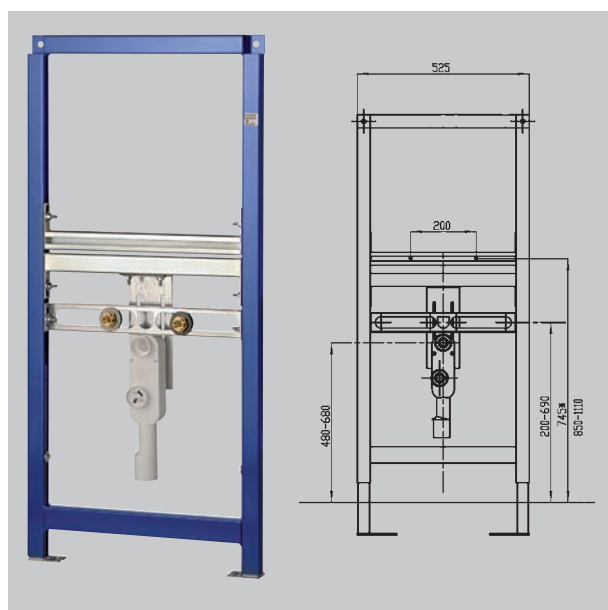
## Installation Frame

Mounting system for wall hung stainless steel washbasins with single hole mixer

**CMPX150**

Extras:

**Z-CMPX140**  
Wall Bracket Set



## Installation Frame

Mounting system for wall hung washbasins for disabled people with single hole mixer and with in-wall trap

**CMPX151**

Extras:

**Z-CMPX140**  
Wall Bracket Set



## Wall Support Frame

AQUAFIX wall support frame for fold down grab bars for left-hand and right-hand location next to a WC installation frame, self-supporting powder coated steel-frame construction, TÜV tested, for individual mounting for dry-wall lining, 2 fastening points, fully premounted, with water-resistant, laminated wood panel, adjustable height, incl. mounting material.

Note: Wall support frame only to be used in combination with a WC installation frame.

Dimensions (HxW): 1185x296

Height adjustment: 0-200

Depth adjustment: 135-205 when using the wall brackets for pre-wall installation

**CMPX162**

mounting of grab rails on right and left side possible

The logo for Franke, consisting of the word "FRANKE" in a bold, white, sans-serif font, centered within a dark blue rectangular background.

Smart  
Hygiene  
Solutions

Franke Sissons Ltd  
Carrwood Road  
Sheepbridge  
Chesterfield S41 9QB  
England  
Tel +44 (0)1246 450255  
Fax +44 (0)1246 451276  
Email [ws.uk@franke.com](mailto:ws.uk@franke.com)  
[www.franke-sissons.co.uk](http://www.franke-sissons.co.uk)  
[www.franke-ws.com](http://www.franke-ws.com)